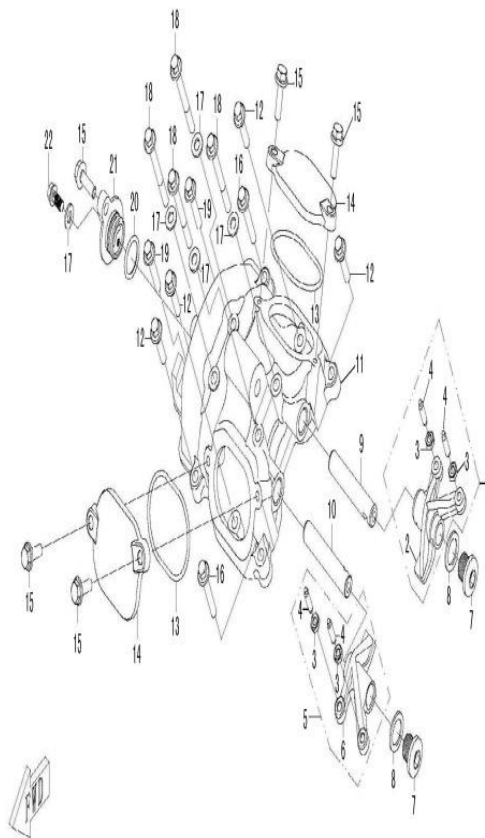


# ***PARTS MANUAL***

# CYLINDER HEAD COVER (缸头盖部件)



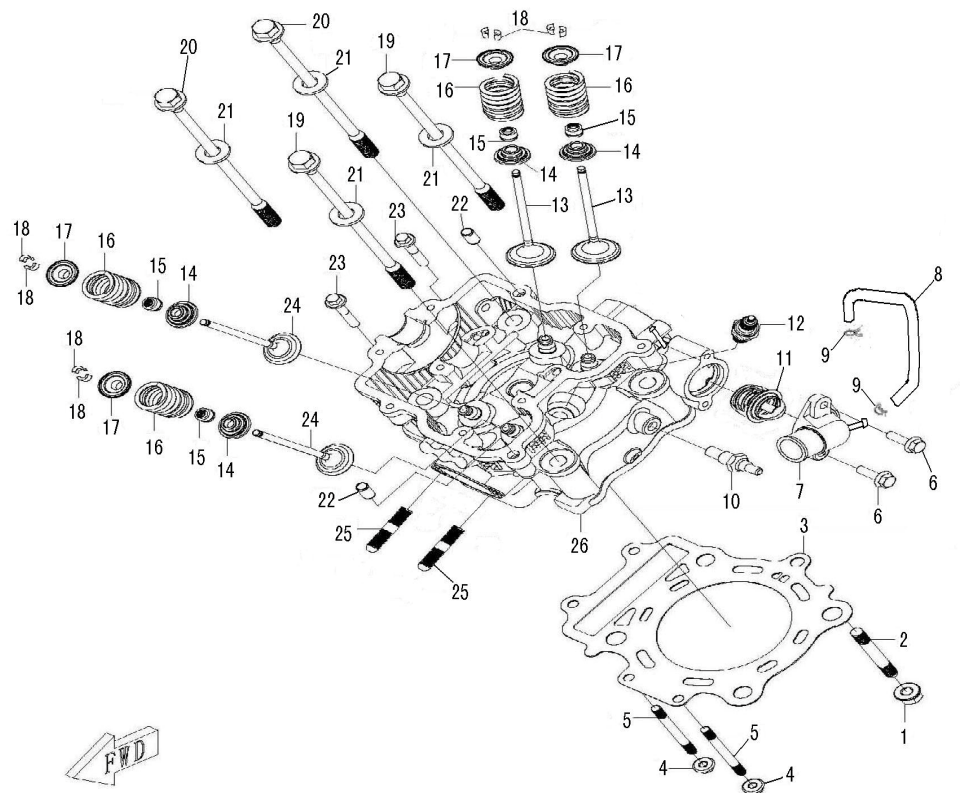
HFSI: High Frequency Service Item

↔ Interchangeable; ≠ Noninterchangeable; ← New for old → old for new

REF. No.	PART NO.	DESCRIPTION	Q'TY	PIN	I/C				
1	35143	INTAKE ROCKER ARM COMP	1						
2	35144	INTAKE ROCKER ARM VALVE	1						
3	35146	ADJUSTING NUT VALVE	4						
4	35147	ADJUSTING SCREW VALVE	4						
5	35148	EXHAUST ROCKER ARM COMP	1						
6	35149	EXHAUST ROCKER ARM VALVE	1						
7	35150	BOLT M14X1.25X12	2						

8	35215	WASHER 14	2							
9	35142	INTAKE ROCKER SHAFT	1							
10	35145	EXHAUST ROCKER SHAFT	1							
11	35110	CYLINDER HEAD COVER	1							
12	10187	BOLT M6X25	4							
13	35111	GASKET	2							
14	35107	VALVE ADJUST COVER	2							
15	10110	BOLT M6X20	5							
16	10186	BOLT M6X35	2							
17	35108	WASHER 6	5							
18	10530	BOLT M6X55	4							
19	10182	BOLT M6X30	2							
20	35113	O-RING 18X2.4	1							
21	35112	SEAL COVER	1							
22	10140	BOLT M6X12	1							

# CYLINDER HEAD (缸头部件)

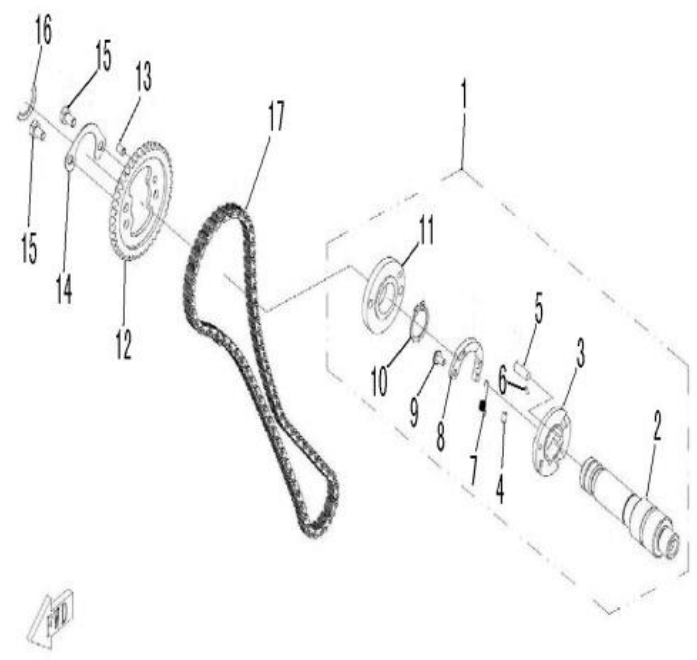


↔ Interchangeable; ≠ Noninterchangeable; ← New for old → old for new

REF. No.	PART NO.	DESCRIPTION	Q'TY	PIN	I/C				
1	10067	THRUST NUT M8	1						
2	35097	STUD M8X68	1						
3	35106	GASKET,CYLINDER HEAD	1						
4	10004	THRUST NUT M6	2						
5	35098	STUD M6X72	2						

6	10278	BOLT M6X22	2						
7	35103	WATER OUTLET JOINT, CYLINDER HEAD	1						
8	35104	PIPE,CYLINDER HEAD	1						
9	35109	CLIP 7.5	2						
10	35095e	WATER TEMPERATURE SENSOR	1						
11	35171	THERMOSTAT	1						
12	35105	SPARK PLUG DPR7EA-9(NGK)	1						
13	35135	INTAKE VALVE	2						
14	35137	SEAT SPRING VALVE	4						
15	35140	SEAL VALVE STEM	4						
16	35136	SPRING VALVE	4						
17	35138	RETAINER SPRING VALVE	4						
18	35139	COTTER VALVE	8						
19	35100	CYLINDER BOLT M10X1.25X190	2						
20	35101	CYLINDER BOLT M10X1.25X200	2						
21	35102	WASHER, CYLINDER BOLT	4						
22	50076	DOWEL PIN 8x14	2						
23	10186	BOLT M6X35	2						
24	35141	EXHAUST VALVE	2						
25	35099	STUD M8X42	2						
26	35096e	CYLINDER HEAD	1						

# CAMSHAFT (凸轮轴部件)

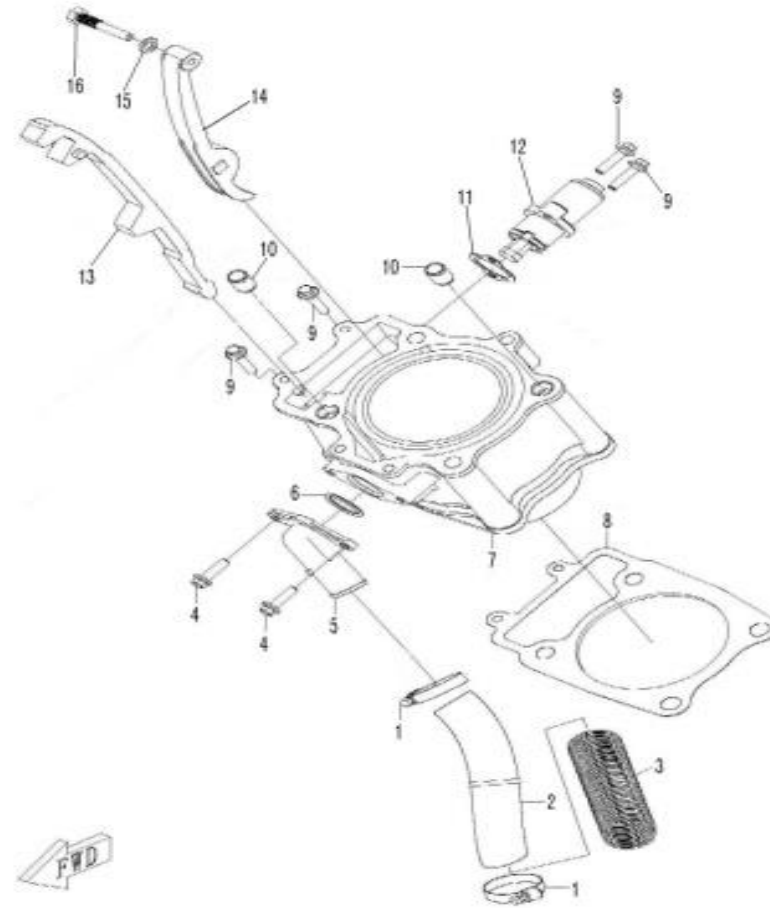


↔ Interchangeable; ≠ Noninterchangeable; ← New for old → old for new

REF. No.	PART NO.	DESCRIPTION	Q'TY	PIN	I/C				
1	35156	CAMSHAFT ASSEMBLY	1						
2	35151	CAMSHAFT	1						
3	35168	LIMIT CAM	1						
4	35167	DOWEL PIN, DECOMPRESSOR	1						
5	35170	DECOMPRESSOR CAM	1						
6	35169	DEFLECTOR ROD	1						
7	35164	DECOMPRESSOR SPRING	1						
8	35165	DECOMPRESSOR ROCKER ARM	1						
9	35166	DECOMPRESSOR ROCKER ARM WRIST	1						
10	10841	RETAINER 22	1						

11	35155	FLANGE, CAMSHAFT	1							
12	35154	TIMING SPROCKET	1							
13	10835	DOWEL PIN, TIMING SPROCKET	1							
14	35153	RETAINER	1							
15	10828	BOLT M6X10	2							
16	35152	CAMSHAFT SPACER	1							
17	35163	TIMING CHAIN	1							

# CYLINDER (缸体部件)



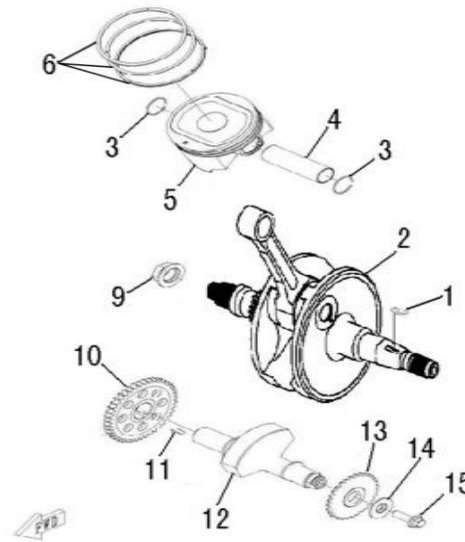
↔ Interchangeable; ≠ Noninterchangeable; ← New for old → old for new

REF. No.	PART NO.	DESCRIPTION	Q'TY	PIN	I/C				
1	35343	CLAMP 20/32	2						
2	35116	WATER INLET HOSE	1						
3	35117	SLEEVE, WATER HOSE	1						
4	10278	BOLT M6X22	2						
5	35114	JOINT, WATER INLET	1						



6	35115	O-RING 24X2.5	1							
7	35119	CYLINDER	1							
8	35120	GASKET, CYLINDER	1							
9	10187	BOLT M6X25	4							
10	35118	DOWEL PIN 13X18	2							
11	35158	GASKET, TENSIONER	1							
12	35157	TENSIONER	1							
13	35159	TIMING CHAIN GUIDE	1							
14	35160	TENSIONER PLATE	1							
15	35162	WASHER 8	1							
16	35161	BOLT, TENSIONER PLATE	1							

# CRANKSHAFT COMP (运动件部件)

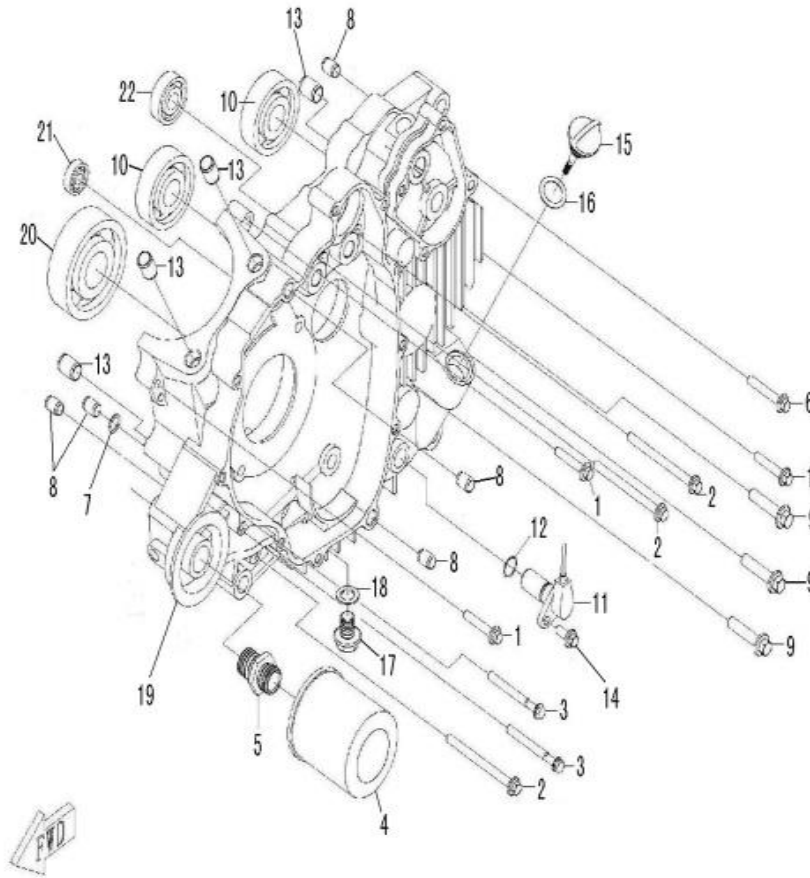


↔ Interchangeable; ≠ Noninterchangeable; ← New for old → old for new

REF. No.	PART NO.	DESCRIPTION	Q'TY	PIN	I/C					
1	35123	KEY	1							
2	35121	CRANKSHAFT	1							
3	35129	CLIP, PISTON PIN	2							
4	35128	PISTON PIN	1							
5	35127	PISTON	1							
			1							
6	35124	PISTON RING	1							
9	35122	NUT M18X1.5 (L)	1							
10	35131	GEAR, BALANCER SHAFT	1							
11	35133	KEY	1							
12	35130	BALANCER SHAFT	1							
13	35132	SPROCKET, BALANCE SHAFT	1							
14	35134	WASHER 10.2X28X2	1							

15	10028	BOLT M10X25	1						
----	-------	-------------	---	--	--	--	--	--	--

### LEFT CRANKCASE (左箱体)

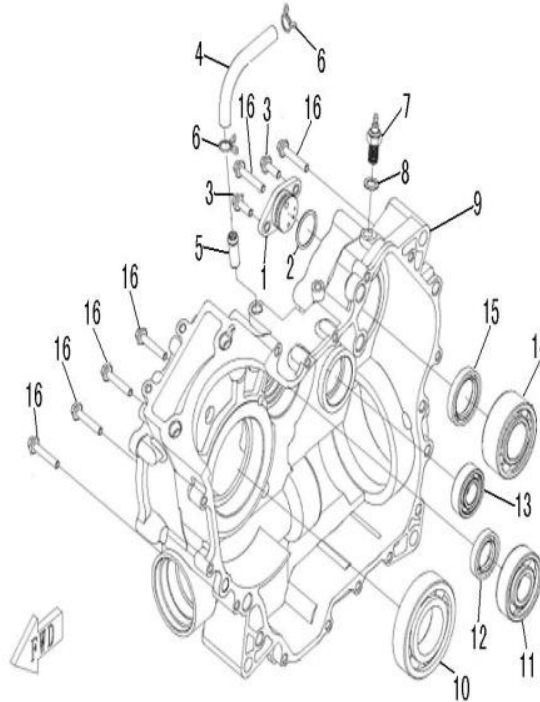


↔ Interchangeable; ≠ Noninterchangeable; ← New for old → old for new

REF. No.	PART NO.	DESCRIPTION	Q'TY	PIN	I/C				
1	10186	BOLT M6x35	3						
2	10827	BOLT M6x80	3						
3	10005	BOLT M6x60	2						

4	35223	OIL FILTER	1						
5	35213	BOLT, OIL FILTER	1						
6	10177	BOLT M6x40	1						
7	10843	O-RING 10X1.8	1						
8	35094	DOWEL PIN 10x14	5						
9	35221	BOLT M8x38	3						
10	10846	BEARING 6303C3	2						
11	35337	SPEED SENSOR	1						
12	35225	O-RING 14x1.44	1						
13	35118	DOWEL PIN 13x18	4						
14	10189	BOLT M6x16	1						
15	35224	OIL DIP ROD	1						
16	10844	O-RING 18x3.55	1						
17	50105	DRAIN BOLT M12x1.5	1						
18	1309283	WASHER 12	1						
19	35216	LEFT CRANKCASE	1						
20	10847	BEARING 6307	1						
21	10848	BEARING 63/22	1						
22	10849	BEARING 6202	1						

## RIGHT CRANKCASE (右箱体)

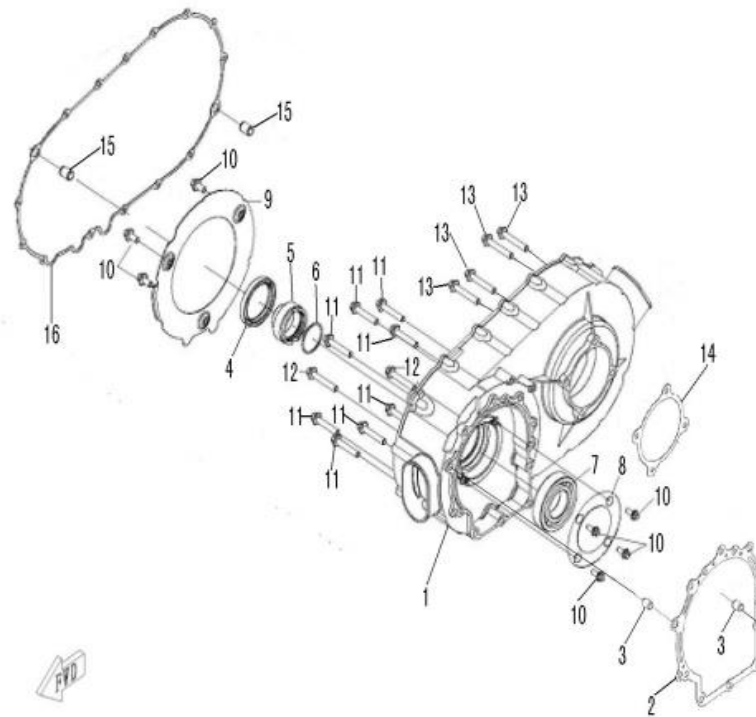


↔ Interchangeable; ≠ Noninterchangeable; ← New for old → old for new

REF. No.	PART NO.	DESCRIPTION	Q'TY	PIN	I/C				
1	35338	GEAR POSITION SENSOR	1						
2	35226	O-RING 26x2.5	1						
3	10191	BOLT M6x18	2						
4	35220	BREATHER HOSE	1						
5	35219	JOINT, BREATHER HOSE	1						
6	10845	CLAMP A12	2						
7	35339	REVERSE GEAR SENSOR	1						

8	35227	WASHER 10	1						
9	35217	RIGHT CRANKCASE	1						
10	10850	BEARING 6208	1						
11	10848	BEARING 63/22	1						
12	35218	OIL SEAL 22x38x7	1						
13	10851	BEARING 6203RS	1						
14	10860	BEARING 5206C3	1						
15	35222	OIL SEAL 30x45x8	1						
16	10186	BOLT M6x35	6						

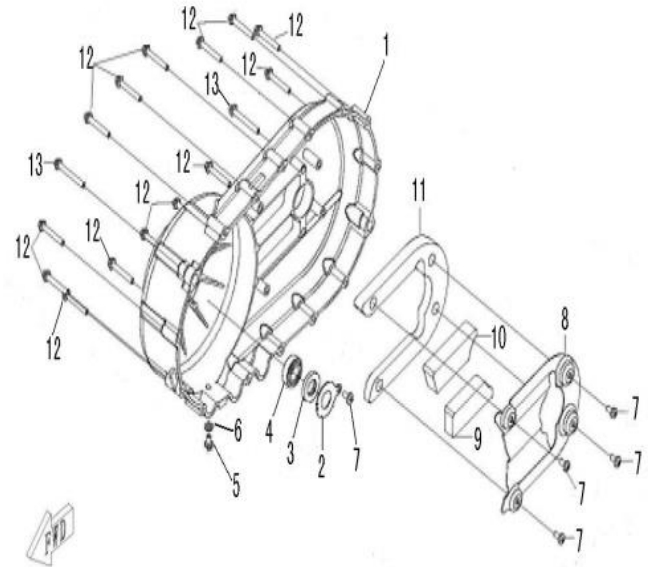
## CVT HOUSING (CVT箱)



↔ Interchangeable; ≠ Noninterchangeable; ← New for old → old for new

REF. No.	PART NO.	DESCRIPTION	Q'TY	PIN	I/C					
1	35235	CVT HOUSING	1							
2	35238	GASKET 1, CVT HOUSING	1							
3	35094	DOWEL PIN 10x14	2							
4	35251	OIL SEAL 54x70x8	1							
5	35228	SPACER, DRIVE SHAFT	1							
6	35229	O-RING 39x2.3	1							
7	10852	BEARING 6208RS	1							
8	35236	BEARING RETAINER, CVT	1							
9	35237	PLATE, AIR INTAKE	1							
10	10140	BOLT M6x12	7							
11	35233	BOLT M8x45	8							
12	35232	BOLT M8x50	2							
13	10187	BOLT M6x25	4							
14	35239	GASKET 2, CVT HOUSING	1							
15	35118	DOWEL PIN 13x18	2							
16	35231	GASKET, CVT COVER	1							

## CVT COVER (CVT盖)



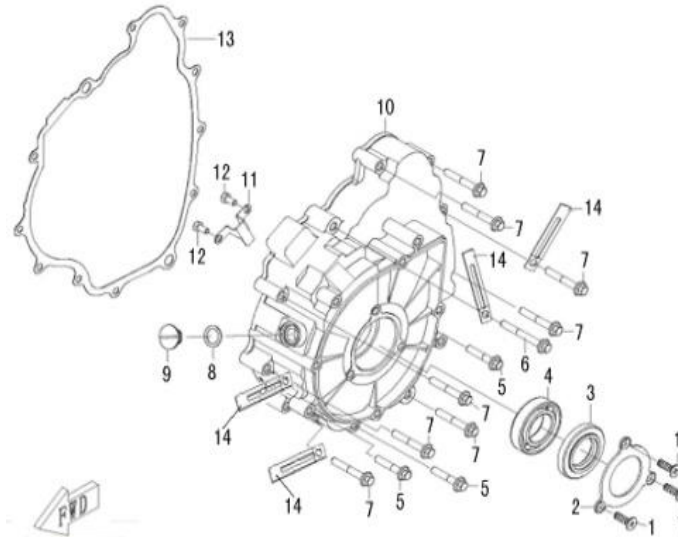
↔ Interchangeable; ≠ Noninterchangeable; ← New for old → old for new

REF. No.	PART NO.	DESCRIPTION	Q'TY	PIN	I/C				
1	35230	CVT COVER	1						
2	35253	LIMITATOR, OIL SEAL	1						
3	35252	OIL SEAL 17x35x5	1						
4	10853	BEARING 6003/P6	1						
5	10826	BOLT M6x10	1						
6	35108	WASHER 6	1						



7	26262	SCREW M6x12	5						
8	35254	DAMPER PLATE	1						
9	35257	RUBBER DAMPER 3	1						
10	35255	RUBBER DAMPER 1	1						
11	35256	RUBBER DAMPER 2	1						
12	29503	BOLT M6x45	14						
13	10530	BOLT M6x55	2						

### LEFT CRANKCASE COVER (左盖部件)

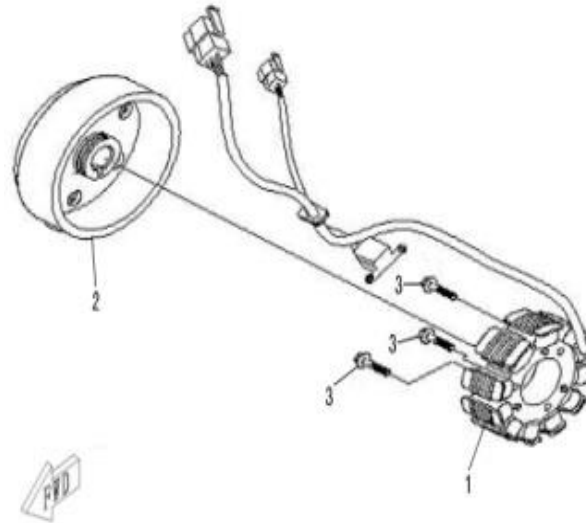


↔ Interchangeable; ≠ Noninterchangeable; ← New for old → old for new

REF. No.	PART NO.	DESCRIPTION	Q'TY	PIN	I/C				
1	10832	SCREW M6x10	3						
2	35245	HOLDER,OIL SEAL	1						
3	35248	OIL SEAL 28x52x7	1						
4	10854	BEARING 60/28	1						
5	10329	BOLT M6x32	3						
6	10349	BOLT M6x50	1						
7	10177	BOLT M6x40	8						
8	35250	O-RING 12x2.8	1						

9	35249	PLUG, INSPECTION	1							
10	35234	LEFT CRANKCASE COVER	1							
11	35246	LEAD HOLDER	1							
12	10829	BOLT M5x10	2							
13	35244	GASKET, LEFT CRANKCASE COVER	1							
14	35247	CABLE CLAMP	4							

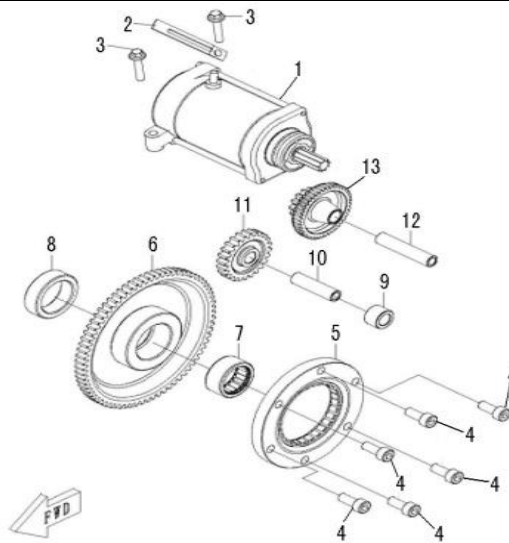
## GENERATOR (磁电机部件)



↔ Interchangeable; ≠ Noninterchangeable; ← New for old → old for new

REF. No.	PART NO.	DESCRIPTION	Q'TY	PIN	I/C					
1	35334e	STATOR ASSY	1							
2	35335e	ROTOR ASSY	1							
3	10182	BOLT M6x30	3							

## ELECTRIC STARTER (电起动部件)

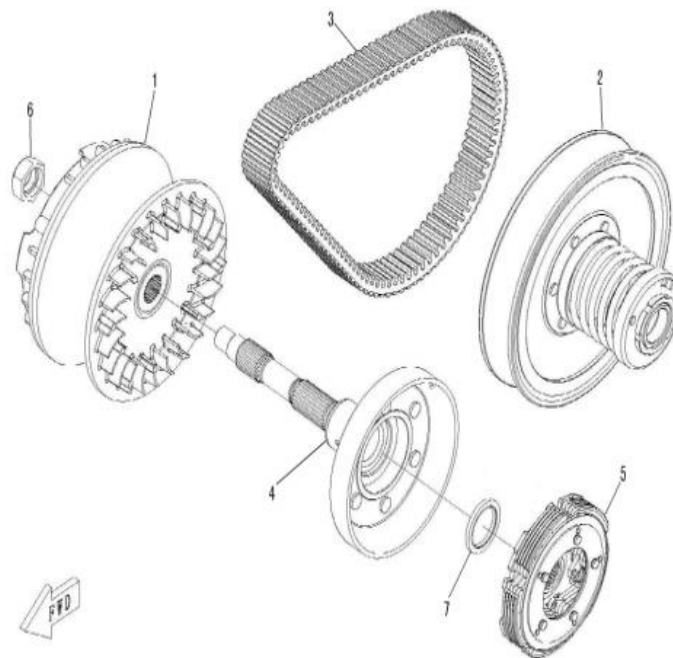


↔ Interchangeable; ≠ Noninterchangeable; ← New for old → old for new

REF. No.	PART NO.	DESCRIPTION	Q'TY	PIN	I/C				
1	35336	STARTING MOTOR	1						
2	35247	CABLE CLAMP	1						
3	10182	BOLT M6x30	2						
4	10830	SCREW M8x20	6						
5	35265	STATER CLUTCH	1						
6	35260	OUTPUT GEAR ASSY	1						
7	10859	NEEDLE BEARING RNA49/22	1						
8	35259	SPACER	1						
9	35264	IDLE GEAR BUSHING	1						
10	35262	IDLE GEAR SHAFT	1						

11	35263	IDLE GEAR	1						
12	35261	AXLE, DUAL GEAR	1						
13	35258	DUAL GEAR	1						

## CLUTCH (无级变速部件)

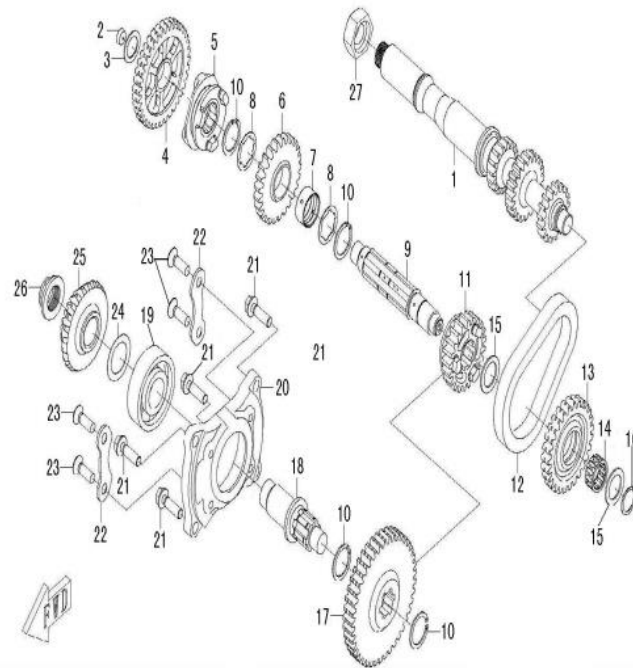


↔ Interchangeable; ≠ Noninterchangeable; ← New for old → old for new

REF. No.	PART NO.	DESCRIPTION	Q'TY	PIN	I/C				
1	35298	DRIVE ASSY COMP	1						
2	35299	DRIVEN ASSY COMP	1						
3	35297	V-BELT	1						
4	35295	CLUTCH HOUSING ASSY	1						
5	35296	CLUTCH CARRIER ASSY	1						
6	35294	NUT M20x1.5	1						

7	35293	OIL SEAL 46x37.5x5.5, END FACE	1						
8	35668	WEIGHT	8						

## TRANSMISSION I (変速部)

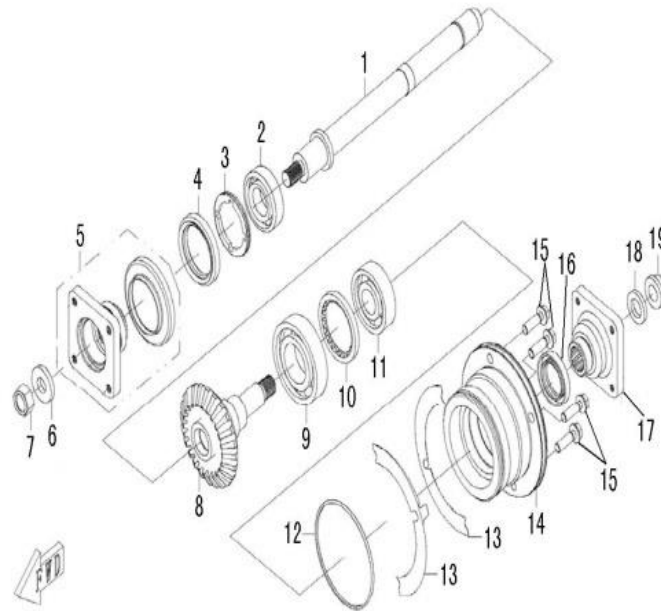


↔ Interchangeable; ≠ Noninterchangeable; ← New for old → old for new

REF. No.	PART NO.	DESCRIPTION	Q'TY	PIN	I/C				
1	35320	MAIN SHAFT. GEARSHIFT	1						
2	35309	BELL PLUG 12	1						
3	35307	WASHER 17.5x26x1	1						
4	35318	DRIVEN GEAR, LOW RANGE	1						
5	35314	SLIDING BUSH, GEARSHIFT	1						

6	35316	DRIVEN GEAR, HIGH RANGE	1						
7	35317	BUSHING, DRIVEN HIGH RANGE GEAR	1						
8	35310	SPLINE WASHER	2						
9	35315	DRIVEN SHAFT	1						
10	35311	CIRCLIP 25	2						
11	35308	DRIVEN OUTPUT GEAR	1						
12	35313	CHAIN, REVERSE GEAR	1						
13	35319	SPROCKET, REVERSE GEAR	1						
14	10858	NEEDLE BEARING K20X26X12	1						
15	35312	WASHER 20.5x30x1.5	2						
16	24407	CIRCLIP 20	1						
17	35271	OUTPUT DRIVEN GEAR	1						
18	35276	DRIVE BEVEL GEAR SHAFT	1						
19	10855	BEARING 6305C3	1						
20	35274	BEARING SEAT,DRIVE BEVEL GEAR	1						
21	35286	BOLT M8x28	4						
22	35287	BEARING LIMIT	2						
23	10276	SCREW M8x25	4						
24	35277	ADJUST WASHER, DRIVE BEVEL GEAR	1						
25	35272	DRIVE BEVEL GEAR	1						
26	35275	LOCKNUT, BEVEL GEAR	1						
27	35294	NUT M20x1.5	1						

## TRANSMISSION II (前、后驱动)



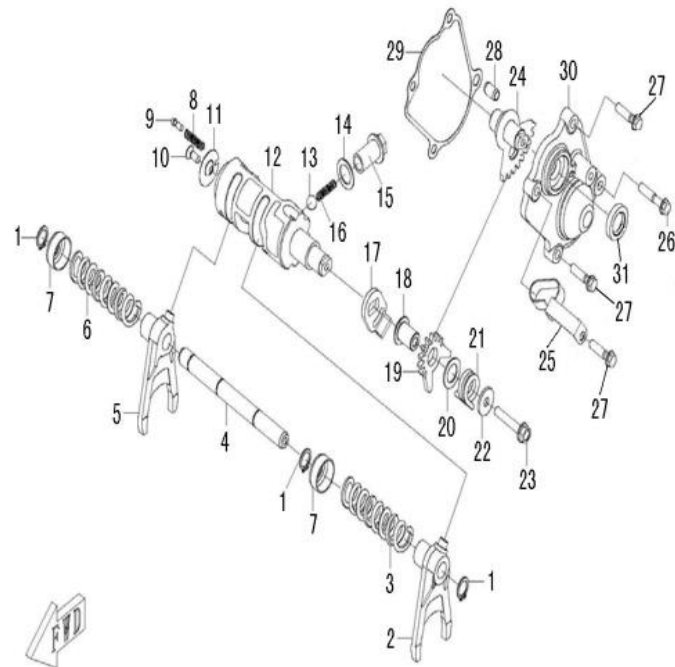
↔ Interchangeable; ≠ Noninterchangeable; ← New for old → old for new

REF. No.	PART NO.	DESCRIPTION	Q'TY	PIN	I/C				
1	35288	FRONT OUTPUT SHAFT	1						
2	10267N	BEARING 6205	1						

3	35291	BEARING RETAINER, FRONT OUTPUT SHAFT	1						
4	35289	OIL SEAL 44x60x6.7/10	1						
5	35290	COUPLER, FRONT TRANSMISSION OUTPUT	1						
6	35292	WASHER, FRONT TRANSMISSION OUTPUT SHAFT NUT	1						
7	10837	NUT M14x1.5-10	1						
8	35273	DRIVEN BEVEL GEAR	1						
9	10856	BEARING 6207/P63	1						
10	35282	BEARING LIMIT NUT	1						
11	10848	BEARING 63/22	1						
12	35279	O-RING 88x2.4	1						
13	35280	ADJUST WASHER, DRIVEN BEVEL GEAR	2						
14	35278	BEARING SEAT, DRIVEN BEVEL GEAR	1						
15	35286	BOLT M8x28	4						
16	35281	OIL SEAL 30x46x7	1						
17	35283	COUPLER, REAR TRANSMISSION OUTPUT	1						
18	35284	WASHER, REAR OUTPUT SHAFT NUT	1						
19	35285	NUT, REAR OUTPUT SHAFT	1						



# TRANSMISSION III (换档机构)

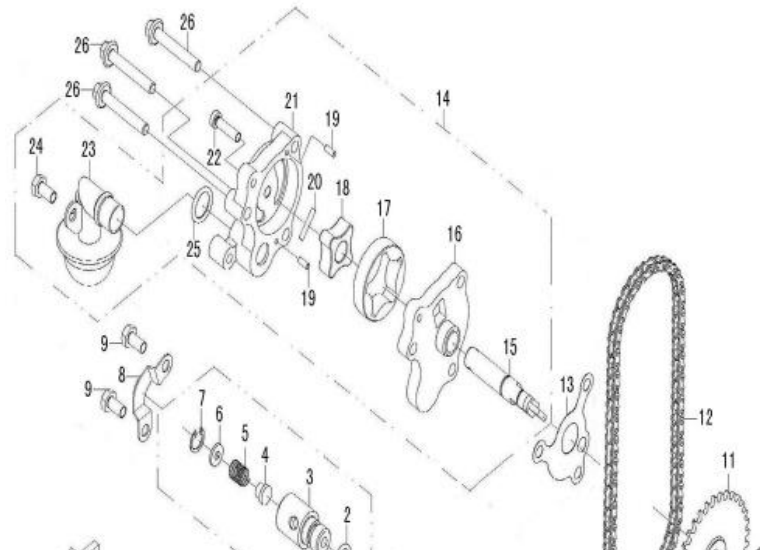


↔ Interchangeable; ≠ Noninterchangeable; ← New for old → old for new

REF. No.	PART NO.	DESCRIPTION	Q'TY	PIN	I/C					
1	10129	CIRCLIP 12	3							
2	35330	LEFT SHIFT FORK	1							
3	35327	SPRING 1, SHIFT FORK	1							
4	35333	GUIDE BAR	1							
5	35329	RIGHT SHIFT FORK	1							
6	35328	SPRING 2, SHIFT FORK	1							
7	35326	SPRING SEAT	2							
8	35322	SPRING, GEAR CONTACTOR	1							
9	35321	GEAR CONTACTOR	1							
10	10135	SCREW M5x12	1							
11	35323	LIMIT WASHER	1							
12	35331	SHIFT CAM	1							
13	10842	FRICTION BALL 3/8	1							
14	35324	WASHER 14x22x1	1							
15	35325	HOLE BOLT M14x1.5	1							
16	35332	LIMIT SPRING	1							
17	35303	WASHER, DRIVEN SECTOR GEAR	1							
18	35302	SHAFT, DRIVEN SECTOR GEAR	1							
19	35301	DRIVEN SECTOR GEAR	1							
20	35304	WASHER 13.5x22x1	1							
21	35305	TORSION SPRING, DRIVEN SECTOR GEAR	1							
22	35306	WASHER 6.6x20x2	1							
23	10186	BOLT M6x35	1							
24	35300	WELD PART, DRIVE SECTOR GEAR	1							
25	35243	CLIP	1							
26	10329	BOLT M6x32	1							
27	10187	BOLT M6x25	3							
28	50076	DOWEL PIN 8x14	1							
29	35241	GASKET, SECTOR GEAR HOUSING	1							
30	35240	COVER, SECTOR GEAR HOUSING	1							

31	35242	OIL SEAL 15x25x5	1						
----	-------	------------------	---	--	--	--	--	--	--

## OIL PUMP (机油泵部件)

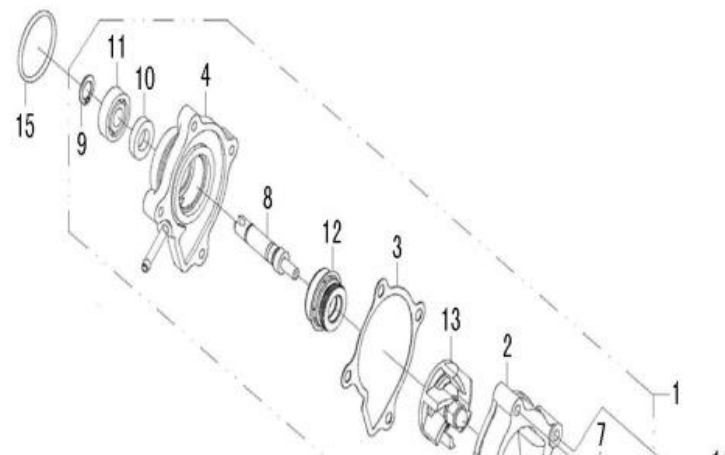


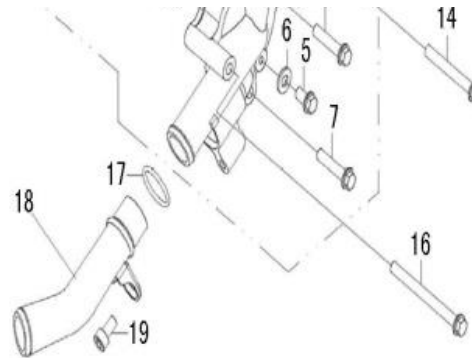


↔ Interchangeable; ≠ Noninterchangeable; ← New for old → old for new

REF. No.	PART NO.	DESCRIPTION	Q'TY	PIN	I/C					
1	35197	RELIEF VALVE	1							
2	35200	O-RING 10x2.3	1							
3	35198	RELIEF VALVE BODY	1							
4	35199	OIL PLUG, RELIEF VALVE	1							
5	35201	SPRING RELIEF VALVE	1							
6	35202	SPRING WASHER	1							
7	10838	CIRCLIP 12	1							
8	35203	PRESSURE STRIP,RELIEF VALVE	1							
9	10140	BOLT M6x12	2							
10	10840	CIRCLIP 11	1							
11	35191	SPROCKET, OIL PUMP	1							
12	35196	CHAIN, OIL PUMP	1							
13	35206	GASKET, OIL PUMP	1							
14	35195	OIL PUMP	1							
15	35192	SHAFT, OIL PUMP	1							
16	35187	COVER, OIL PUMP	1							
17	35189	OUTER ROTOR,OIL PUMP	1							
18	35190	INNER ROTOR,OIL PUMP	1							
19	35193	DOWEL PIN	2							
20	35194	STRAIGHT PIN	1							
21	35188	OIL PUMP HOUSING	1							
22	10857	SCREW M5x20	1							
23	35204	OIL STRAINER	1							
24	10210	BOLT M6x14	1							
25	35205	O-RING 14x2.5	1							
26	10177	BOLT M6x40	3							

## WATER PUMP (水泵部件)

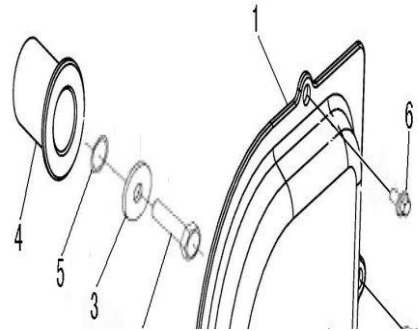


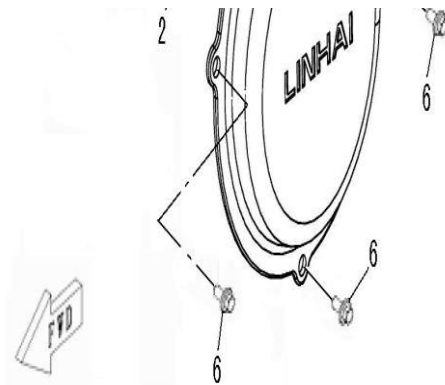


↔ Interchangeable; ≠ Noninterchangeable; ← New for old → old for new

REF. No.	PART NO.	DESCRIPTION	Q'TY	PIN	I/C					
1	35179	WATER PUMP ASSY	1							
2	35173	WATER PUMP COVER	1							
3	35176	GASKET	1							
4	35172	WATER PUMP HOUSING	1							
5	10140	BOLT M6x12	1							
6	35108	WASHER 6	1							
7	10182	BOLT M6x30	2							
8	35175	WATER PUMP SHAFT	1							
9	10839	CIRCLIP 10	1							
10	35177	OIL SEAL 10x20x5	1							
11	70020	BEARING 6000	1							
12	35178	WATER SEAL	1							
13	35180	IMPELLER	1							
14	10349	BOLT M6x50	1							
15	35174	O-RING 34x2.5	1							
16	10160	BOLT M6x70	1							
17	35182	O-RING 21x2.5	1							
18	35181	WATER OUTLET PIPE	1							
19	10831	SCREW M6x10	1							

**LEFT SIDE COVER (侧盖部件)**

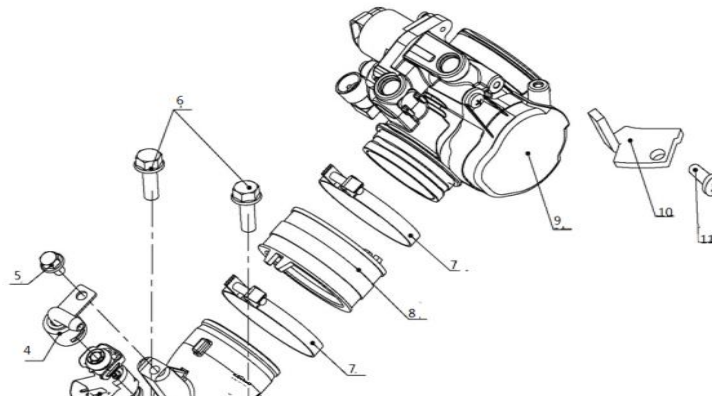




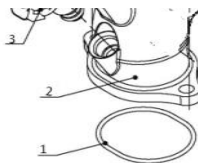
↔ Interchangeable; ≠ Noninterchangeable; ← New for old → old for new

REF. No.	PART NO.	DESCRIPTION	Q'TY	PIN	I/C					
1	35270	LEFT SIDE COVER	1							
2	35267	BOLT M10x1.25x40	1							
3	35268	WASHER 10.2x32x3	1							
4	35266	SPLINED SPACER	1							
5	35269	O-RING 16.1x3.2	1							
6	10140	BOLT M6x12	4							

## FUEL INJECTION ASSY (进气喷油部件)



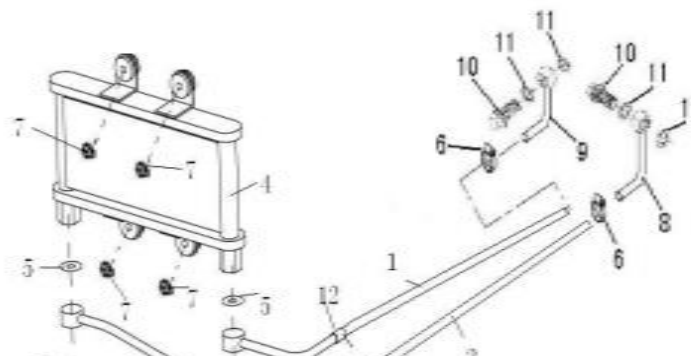


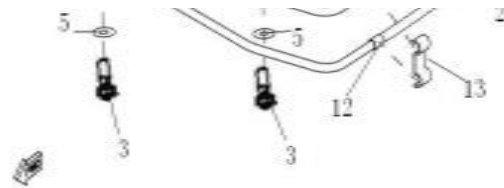


↔ Interchangeable; ≠ Noninterchangeable; ← New for old → old for new

REF. No.	PART NO.	DESCRIPTION	Q'TY	PIN	I/C					
1	35207	O-RING 40x2.4	1							
2	35744	JOINT, CARBURETOR	1							
3	35745	INJECTOR	1							
4	73352	INJECTOR CAP	1							
5	10716W	BOLT M6X10	1							
6	10183B	BOLT M6X16	2							
7	71844	CLIP 64	2							
8	71849	JOINT, FEED HOSE	1							
9	71851	THROTTLE BODY ASSEMBLY	1							
10	35746	SPEED LIMITING BLOCK OF THE TB	1							
11	73478	SCREW M4X12	1							

## OIL RADIATOR (油冷部件)



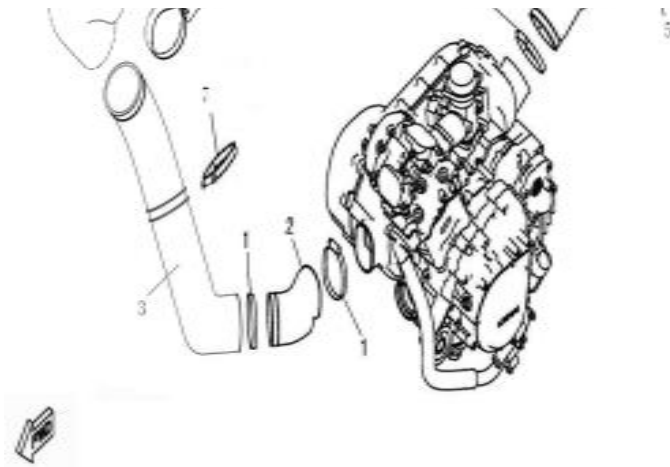


↔ Interchangeable; ≠ Noninterchangeable; ← New for old → old for new

REF. No.	PART NO.	DESCRIPTION	Q'TY	PIN	I/C					
1	36013	PIPE A (OLD MODEL)	1							
2	36012	PIPE B (OLD MODEL)	1							
3	35379	DRAIN PLUG	2							
4	35342	OIL RADIATOR	1		← →					
5	35341	WASHER	4							
6	10774	CLAMP 12/20	2							
7	10836	NUT 6	4							
8	35183	JOUNT A	1							
9	35186	JOUNT B	1							
10	35214	HINGE BOLT M14x1.5	2							
11	35215	WASHER 14	4							
12	36015	OLD MODEL CUSHION COLLAR	2							
13	36014	OLD MODEL DEAD PLATE	1							

### CVT AIR SHROUD (CVT进、出气管)

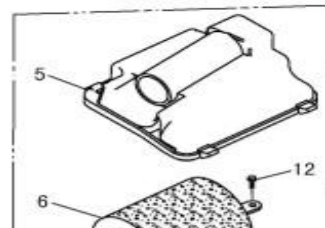


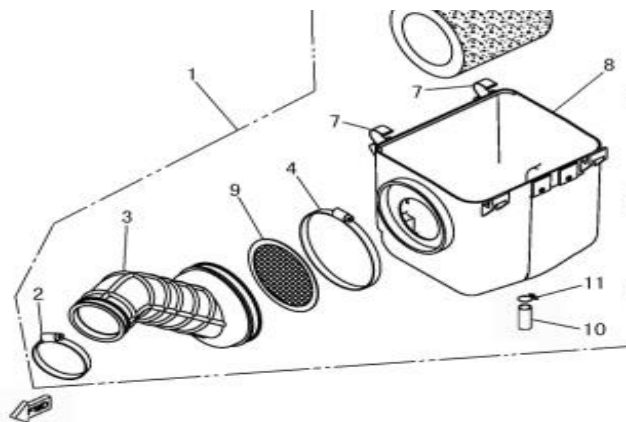


↔ Interchangeable; ≠ Noninterchangeable; ← New for old → old for new

REF. No.	PART NO.	DESCRIPTION	Q'TY	PIN	I/C				
1	35670	CLAMP 80	6						
2	35346	RUBBER JOINT AIR SHROUD 1, CVT	1						
3	36002	AIR SHROUD 1, CVT	1						
4	35348	RUBBER JOINT AIR SHROUD 2, CVT	1						
5	36004	AIR SHROUD 2, CVT	1						
6	36007	RUBBER JOINT AIR SHROUD 3, CVT	1						
7	36005	AIR SHROUD 1, CVT CLAMPING BAND	1						
8	36006	AIR SHROUD 2, CVT CLAMPING BAND	1						
9	36003	RUBBER JOINT AIR SHROUD 4, CVT	1						

## AIR CLEANER (空滤器总成)

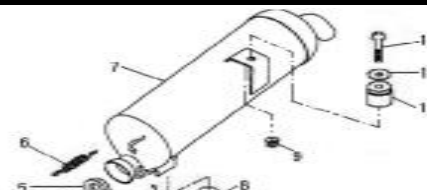


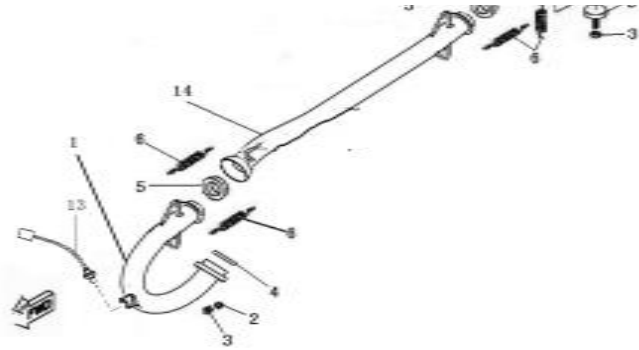


←→ Interchangeable; ≠ Noninterchangeable; ← New for old → old for new

REF. No.	PART NO.	DESCRIPTION	Q'TY	PIN	I/C					
1	35356e	AIR CLEANER ASSY	1							
2	35747	CLIP 1	1							
3	35358e	FEED HOSE	1							
4	35359	CLIP 2	1							
5	35360	COVER, AIR CLEANER	1							
6	35361	ELEMENT COMP AIR CLEANER	1							
7	35362	CLIP, AIR CLEANER COVER	2							
8	35363	CASE, AIR CLEANER	1							
9	35364	FILTER	1							
10	35365	HOSE 2,AIR CLEANER	1							
11	35366	SPRING CLIP	1							
12	35367	SCREW	1							

## EXHAUST (消音器部件)

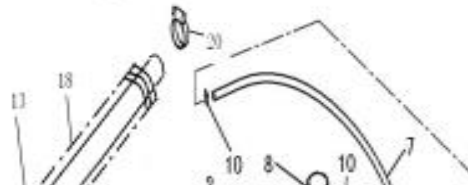


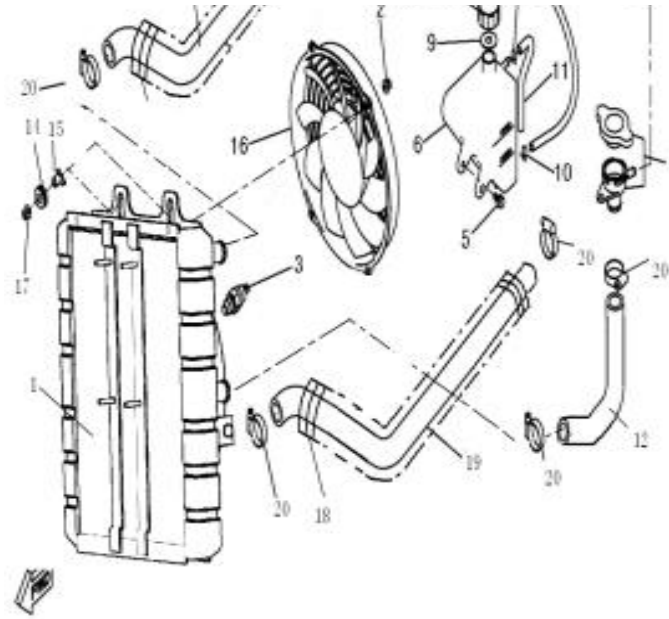


↔ Interchangeable; ≠ Noninterchangeable; ← New for old → old for new

REF. No.	PART NO.	DESCRIPTION	Q'TY	PIN	I/C				
1	36138	EXHAUST PIPE	1						
2	10106	WASHER 8	2						
3	10099	NUT M8	3						
4	35369	EXHAUST PIPE GASKET	1						
5	35370	JOINT	2						
6	23408	SPRING	5						
7	36139	MUFFLER	1						
8	35345	MUFFLER SUPPORT BOTTOM	1						
9	10015	NUT M10X1.25	1						
10	10120	BOLT FLANGE M10X1.25X62	1						
11	10117	WASHER PLATE 10	1						
12	35344	MUFFLER SUPPORT	1						
13	70826	SENSOR	1						
14	36137	EXHAUST PIPE	1						

## RADIATOR (水箱部件)





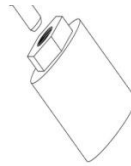
↔ Interchangeable; ≠ Noninterchangeable; ← New for old → old for new

REF. No.	PART NO.	DESCRIPTION	Q'TY	PIN	I/C				
1	36008	RADIATOR	1						
2	10103	NUT M6	4						
3	22919	THERMOSTAT SWITCH ASSY	1						
4	22907a	SAFETY VALVE	1						
5	10140	BOLT M6X12	2						
6	70340	TANK RECOVERY	1						
7	36055	PIPE, SAFETY VALVE	1						
8	70338	COVER, TANK RECOVERY	1						
9	70339	WASHER, TANK RECOVERY	1						
10	22924	CLIP	3						
11	70342	PIPE, TANK RECOVERY	1						
12	36009	HOSE, RADIATOR	1						
13	36010	HOSE, FEED	1						
14	36053	RADIATOR SIDE GROMMET	2						

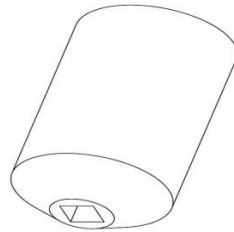
15	36052	COLLAR	2							
16	35354	BLOWER ASSY	1							
17	10004	NUT M6	2							
18	35352	SLEEVE	2							
19	36011	HOSE,RETURN	1							
20	70344	CLAMP 20/32	6							

TOOL(工具)

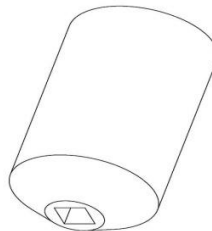




REF. No.	PART NO.	DESCRIPTION	Q'TY	PIN	I/C					
1	80129	Rotor ASSY puller	1							



REF. No.	PART NO.	DESCRIPTION	Q'TY	PIN	I/C					
2	80130	BEARING RETAINER, FRONT OUTPUT SHAFT, NUT WRENCH	1							



REF. No.	PART NO.	DESCRIPTION	Q'TY	PIN	I/C					
3	80131	BEARING LIMIT NUT, NUT WRENCH	1							

























































































